



PGS LEGACY S48T GRILL

GRILL SIZE:
51 Inch Grill

BTUs:
102,000

COOKING SURFACE:
960 sq. inches

Available in natural gas or liquid propane



MASONRY ISLAND CUTOUT DIMENSIONS

S48T Grill Head

49" W x 23" D x 9 1/2" H

Optional Door Kits

MDS L39 Double Door Kit **MDS L20 Single Door Kit**

38" W x 19 1/2" H

19 1/2" W x 12 1/2" H

PGS Vent Kits

400312 (3"x12"), 400418 (4"x18"), 400614 (6"x14")

PROPANE GAS

Islands that will contain a PROPANE cylinder must isolate the tank from the burner compartment. There must be a barrier between the cylinder and the compartment from which combustion air is drawn. ANZI Z21-58 2024 (4.6.1).

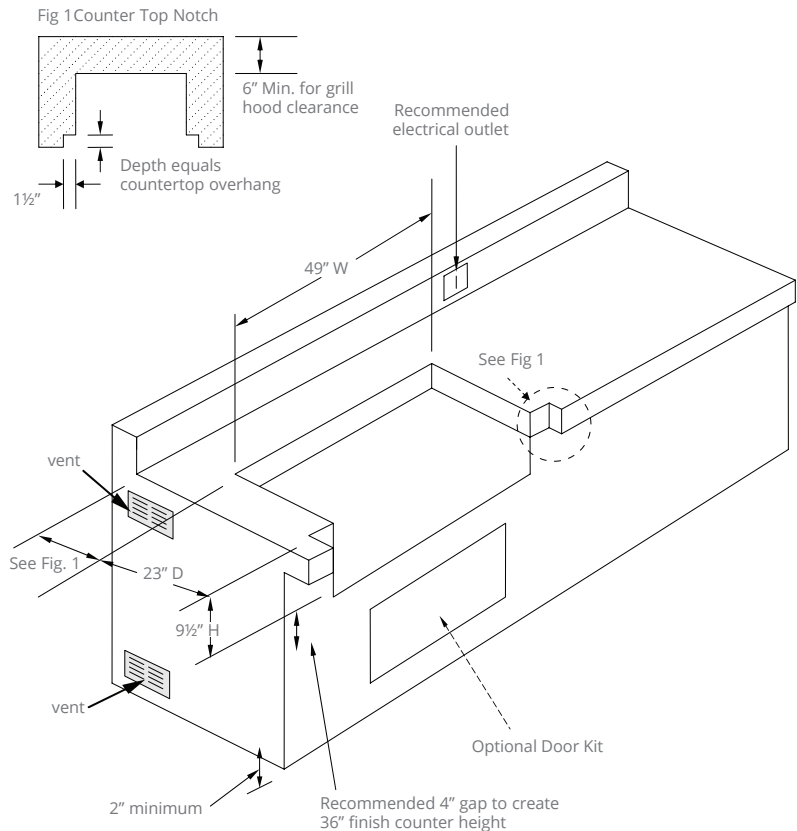
A barrier for the purposes of:

1. Shielding from radiation
2. Provide a flame barrier
3. Protection from drippings, foreign material

ISLAND INSTALLATIONS

All Islands for open flame grills must have venting Top and Bottom and on 2 sides that are not the FRONT of the island. Every opening must permit a 3/16" rod. ANZI Z21-58 2024 (4.6.2)

Islands that will house grills using "remote or system" Propane must have one whole side of the enclosure open or otherwise comply with the ANZI Z21-58 2024 (4.7) venting requirements.



PGS
Brochure
Download

949.474.3070
info@aeicorporation.com
www.aeicorporation.com

2641 Du Bridge Ave.
Irvine, CA 92606

