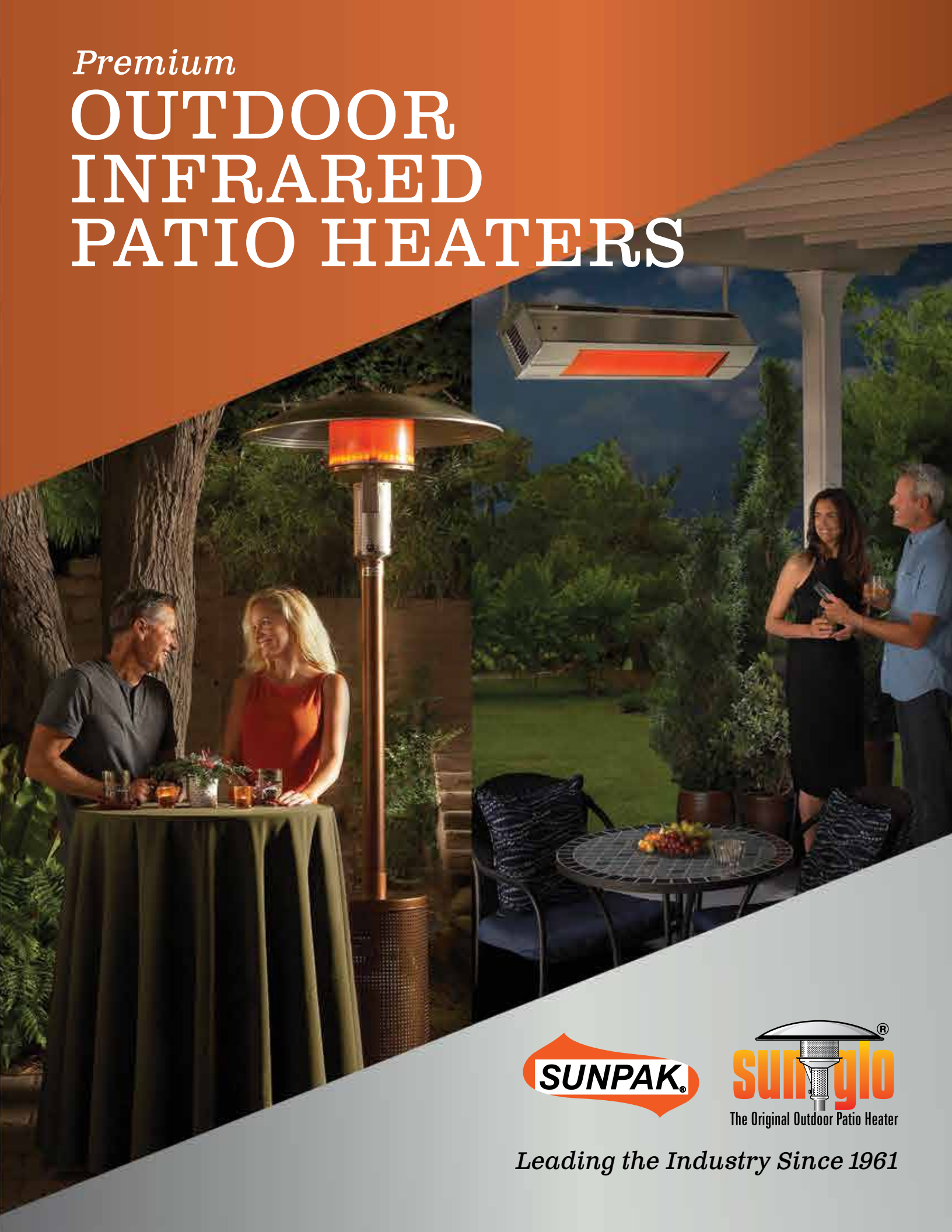


Premium

OUTDOOR INFRARED PATIO HEATERS



Leading the Industry Since 1961

ENJOY THE GREAT OUTDOORS *...all year long!*

Just because the sun goes down, or the weather turns unexpectedly chilly, doesn't mean your outdoor dining, entertaining or outdoor event has to stop. You can comfortably and efficiently warm your outdoor areas and extend your outdoor season by several months with our great lineup of Sunglo™ and Sunpak® infrared outdoor patio heaters.

Proudly made in America by Infrared Dynamics, Inc., SUNGLO™ heaters are ideal for residential & commercial use, like open patios, swimming pool & spa areas, resorts, hotels, fine restaurants & cafés, warehouses and more!

What is Infrared Radiant Heat?

Infrared radiant heat is extremely efficient. Its warming effects are instant, such as you receive from a fireplace or the sun. So even on a cool evening, people and objects are warmed by infrared heaters, even though the surrounding air may be cold. And, unlike ultraviolet wave lengths, there is no sunburn affect and infrared heat does not attract insects.

FREE STANDING & SUSPENDED

Infrared Dynamics introduced the Sunglo™ patio heater in the early 1960's to help people enjoy the outdoors in cool weather. Over the years, our American-made, decorative and practical patio heaters have enjoyed tremendous popularity throughout the world. Today, commercial and residential customers continue to discover the benefits of extending their outdoor season under the comforting warmth of a Sunglo™ Patio Heater.



**Sunglo™
Model PSA265**
Permanent Post
50,000 Btu/Hr
Natural Gas

Available in 4 Styles

All models available in
the four finishes shown



304 Stainless Steel



Textured Antique Bronze



Glossy Black



Arctic White



Sunglo™ Model A270
Portable Heater
40,000 Btu/Hr Propane Gas



Sunglo™ Model A242
Free Standing
50,000 Btu/Hr Natural Gas



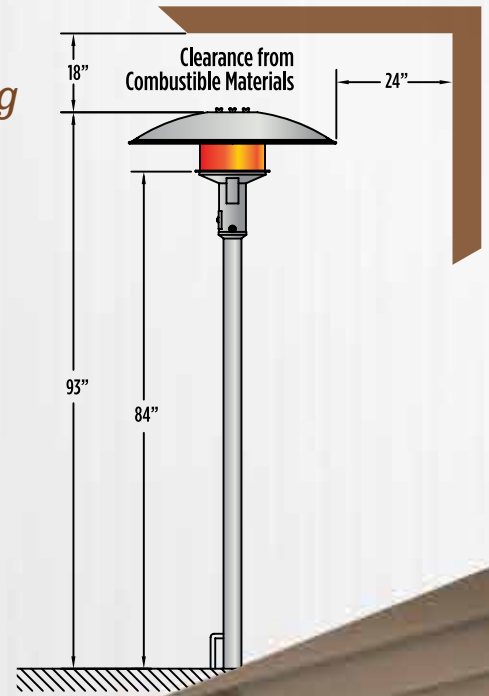
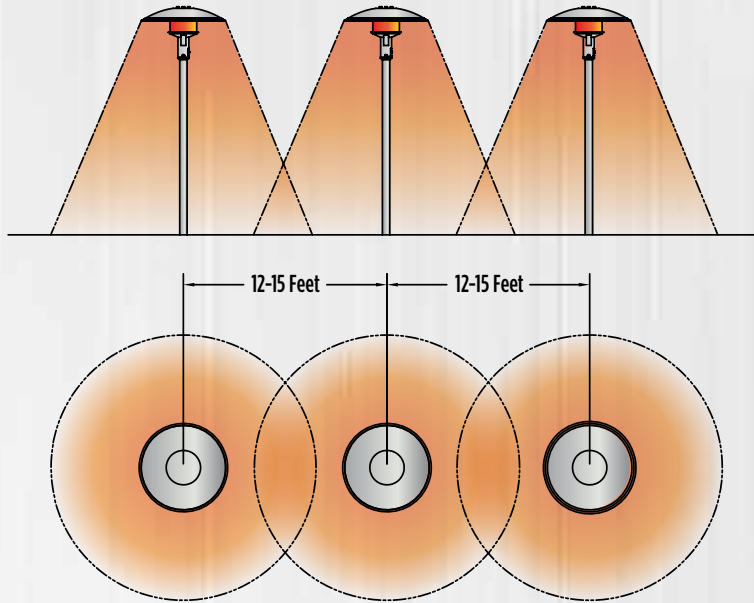
Model A244 (V & E)
Suspended Mounting
50,000 Btu/Hr – Natural Gas or Propane Gas

Sunglo™ Features

- Large, deep dish aluminum reflector broadcasts & distributes quiet, radiant warmth and maximum comfort over a large area, allowing many people to stay comfortable.
- CSA Design Certified.
- Equipped with a 100% safety shutoff device.
- Equipped with a manual or 24 volt control system (natural gas models).
- Single heater covers 12'-20' circle of heat.
- Combine heaters to extend circle of warmth.
- Proudly manufactured in the USA
- For outdoor use only. Not for use inside residential dwelling.



Suggested Spacing for Ideal Operation & Effective Heating



WALL & CEILING MOUNT

Infrared Dynamics designed the SUNPAK® wall and ceiling mounted infrared heater in 1984 to fill the need for an outdoor heater that will fit into a small patio, or any outdoor space where a free standing heater isn't an option.

SUNPAK® heaters spread quiet warmth to an approximate 12' area, depending on the height and placement. When properly integrated into a patio design, SUNPAK® heaters can increase the comfort level 5 to 10 degrees. The heating effectiveness will depend on air temperature and wind velocity. Care should be taken to locate SUNPAK® heaters in a wind protected environment.

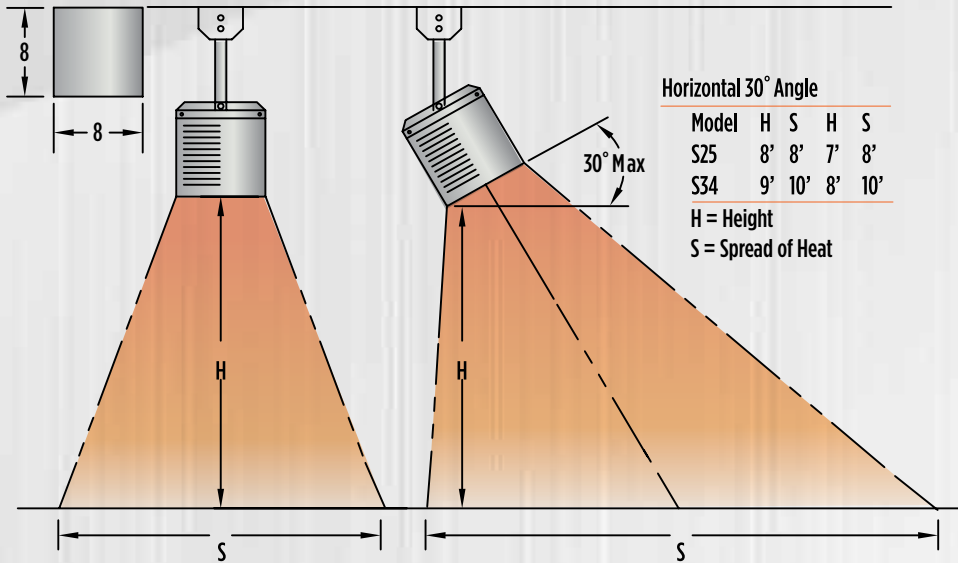
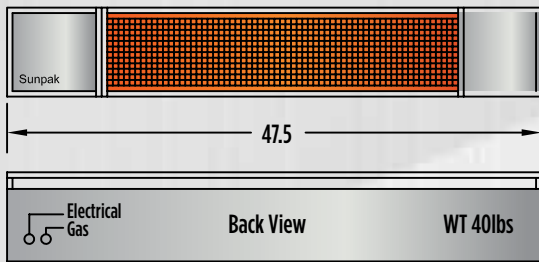


SUNPAK® Model S34-24V Nat Black
with standard single stage control. 34,000 Btu/Hr

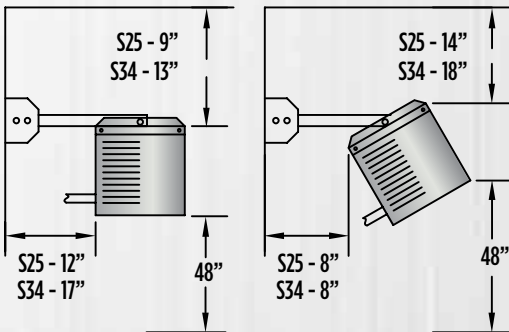




Suggested Spacing for Ideal Operation & Effective Heating



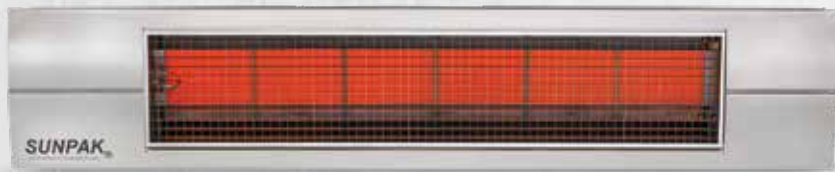
Clearance from Combustible Materials



SUNPAK® Heaters are available with single or dual stage control systems, and casings are available in black or stainless steel finishes. The decorative face trim is available in black, bronze or stainless steel and will fit on all SUNPAK® models. SUNPAK® heaters are available in S25 – 25,000 Btu/Hr and S34 – 34,000 Btu/Hr.



SUNPAK® Model S34-TSR Nat SST
Two stage remote control with bronze face trim
34,000 Btu/Hr (High-Fire), 25,000 Btu/Hr (Low-Fire)



SUNPAK® Model S34-TSH SST
Two stage hardwired control with stainless steel face trim
34,000 Btu/Hr (High-Fire), 25,000 Btu/Hr (Low-Fire)



SUNPAK® Features

- SUNPAK® heaters can be mounted from a wall or ceiling from a zero degree to a 30 degree maximum angle to the ground.
- All SUNPAK® Heaters have a standard size of 48" L x 8" H x 8" D.
- Heater casings are available in black or stainless steel finish. Decorative facings are available in black, bronze or stainless steel.
- Models have several control options, including the standard single stage output, controlled with an optional "On-Off" wall switch (S25 and S34). The S34-TSR features a wireless two stage remote control device with a wall mounted option. The S34-TSH features an optional hardwired, two stage "On-Off-Hi-Low" wall control.
- Optional color trim kits, mounting kits and transformers are available from your local dealer or distributor.
- Each model S34 SUNPAK® heater, rated at 34,000 Btu/Hr, generates 5 times the radiant energy as a 2,000 Watt electric heater.

SUBMITTAL DATA *for Architects and Specifiers*

Technical Support is available through Infrared Dynamics, Inc. Heater should be specified as follows:

Heaters shall be Sunglo™ models (PSA265, A242, A244, A244E, or PSA265E) as manufactured by Infrared Dynamics, Inc., Yorba Linda, California. All heaters shall be equipped with a (manual / 24 volt) control system for use with natural gas fuel.

Each heater shall be design certified using ANSI requirements for outdoor heaters.

Reflector shall be of a deep dish circular type mounted on the top of the heater.

Infrared Emitter shall be made of perforated stainless steel.

Each heater shall be equipped with a 100% safety shutoff device.

OR

Heater shall be SUNPAK® models (S25, S34, S34-TSR, or S34-TSH) as manufactured by Infrared Dynamics, Inc., Yorba Linda, California. All heater shall be equipped with a 24-volt spark type ignition system for use with (natural / propane) fuel.

Each heater shall be design certified using ANSI requirements for outdoor heaters.

Controls shall be fully enclosed in a protected compartment in the heater.

Burner shall be protected with an aluminum face guard.

CODE COMPLIANCE

All Sunglo™ and SUNPAK® heaters have complied with either ANSI Z83.26/CSA 2.37 or Z83/CSA2.35 and are CSA Design Certified.

Codes regarding the storage and handling of propane gas vary from state to state and in some cases the of Propane heater may be restricted by local authorities. SUNPAK® heaters must meet the necessary Clearances from Combustible Materials as specified in the instructions. These instructions are available from our website or from the factory.

SUNPAK® heaters also require fresh air for combustion and must be positioned so that combustion gases exiting the heater do not build up around it. Heater must be installed so combustion gases exit through "slit" flue located along the top of the heater. Heaters were designed to be used only in well ventilated areas.

SUNPAK® maybe angle mounted from 0 to 30 degrees from the horizontal or face down position. Mounting the heater at more extreme angles may prevent the heater from venting properly causing damage to the heater.

Additional guidelines can be found with the heater instructions and the National Fuel Gas Code(NFP 54).

It is the sole responsibility of the purchaser to check for and comply with any local or national standards or restrictions as they pertain to the installation of outdoor heaters.. Under no circumstances will the selling agent issue any refunds or exchanges if the location or installation does not comply with these local or national standards. Please do your research before specifying, purchasing, or installing our products. All Infrared products comply with or exceed the recognized ANSI Z83.26 standards.



Defining the Outdoor Grilling and
Comfort Heat Experience Since 1966
2614 DuBridge Avenue, Irvine, CA 92606
1 (949) 474-3070
www.aeicorporation.com

MAINTENANCE

Annual maintenance of all outdoor heaters is recommended and should be performed by a qualified service person such as a licensed heating/air-conditioning contractor familiar with infrared outdoor heaters.

AVAILABILITY

SUNGLO™ and SUNPAK® patio heaters are sold through regional distributors in the United States and Canada. For information on the nearest representative go to our website: www.infradyne.com or contact Infrared Dynamics Toll Free (888) 317-5255.

Business hours are 7:30 a.m. to 3:30 p.m. PST, Monday - Friday.

Individual heater installation guides are available upon request or on our website.

WARRANTY

SUNGLO™ and SUNPAK® heaters carry a limited 90 day Commercial Warranty for commercial use, and a 1 year homeowner limited warranty for residential use. Infrared Dynamics (and/or its distributors) will furnish the original owner replacement parts for any component part that fails before one year residential use or 90 days commercial use, following installation. At our option, Infrared Dynamics, Inc. may offer to rebuild at the factory, or replace the heater within the limited warranty period. All heaters must be installed and repaired by a qualified heating contractor or service personnel. Infrared Dynamics, Inc. is not liable for any service, shipping or other related expense to the customer. Additional warranty information can be obtained by writing the company and visiting our website.



WARNING-California Proposition 65 -

The burning of gas cooking or heating fuels (and certain components contained in this product) generates some by products that are known by the state of California to cause cancer or reproductive harm.

For detailed information please refer to official California Prop 65 website:

www.P65WARNINGS.CA.GOV



Produced with Pride in the USA by

INFRARED DYNAMICS, INC.