



PGS LEGACY S36T GRILL

GRILL SIZE:
39 Inch Grill

BTUs:
67,000

COOKING SURFACE:
720 sq. inches

Available in natural gas or liquid propane



MASONRY ISLAND CUTOUT DIMENSIONS

S36T Grill Head

36¹/₂" W x 23" D x 9¹/₂" H

Optional Door Kits

MDS L39 Double Door Kit

38" W x 19¹/₂" H

MDS L20 Single Door Kit

19¹/₂" W x 12¹/₂" H

PGS Vent Kits

400312 (3"x12"), 400418 (4"x18"), 400614 (6"x14")

PROPANE GAS

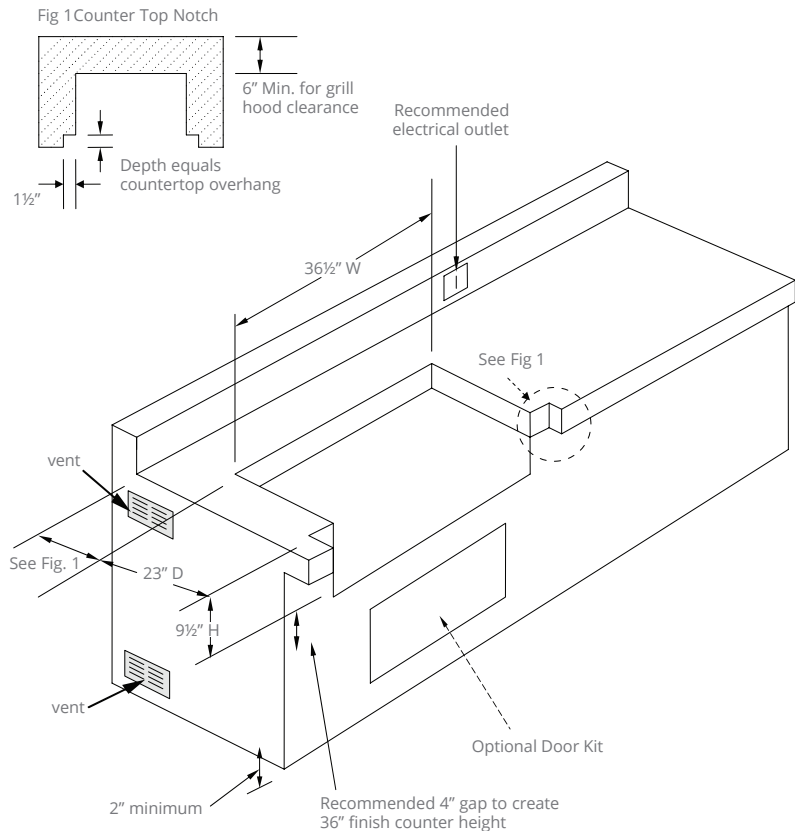
Islands that will contain a PROPANE cylinder must isolate the tank from the burner compartment. There must be a barrier between the cylinder and the compartment from which combustion air is drawn. ANZI Z21-58 2024 (4.6.1). A barrier for the purposes of:

1. Shielding from radiation
2. Provide a flame barrier
3. Protection from drippings, foreign material

ISLAND INSTALLATIONS

All Islands for open flame grills must have venting Top and Bottom and on 2 sides that are not the FRONT of the island. Every opening must permit a 3/16" rod. ANZI Z21-58 2024 (4.6.2)

Islands that will house grills using "remote or system" Propane must have one whole side of the enclosure open or otherwise comply with the ANZI Z21-58 2024 (4.7) venting requirements.



PGS
Brochure
Download

949.474.3070
info@aeicorporation.com
www.aeicorporation.com

2641 Du Bridge Ave.
Irvine, CA 92606

S36T GRILL FEATURES

PGS Legacy T-Series grills have a one-hour gas flow timer that automatically shuts off the gas supply, preventing extended use. This feature is ideal for apartment complexes, student housing, military housing, senior living, and HOA communities.



- PGS FuelStop® ONE HOUR GAS FLOW TIMER built into the Control Panel
- Laser-etched Control Panel for Permanent Instructions
- 304 Stainless Cooking Surface
- Side-mounted Heat Indicator
- Warming Rack available as an option (Part #: 436909)
- Industry leading 5-year warranty for multi-user applications
- Dual Walled Hood
- Electronic Ignition (AA battery-powered)
- 67,000 BTU total input
- Flip Baffle Grate

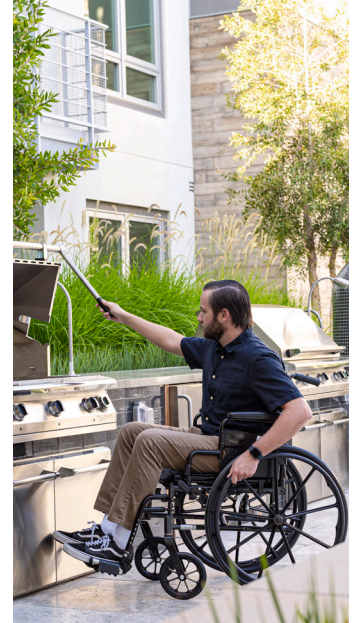
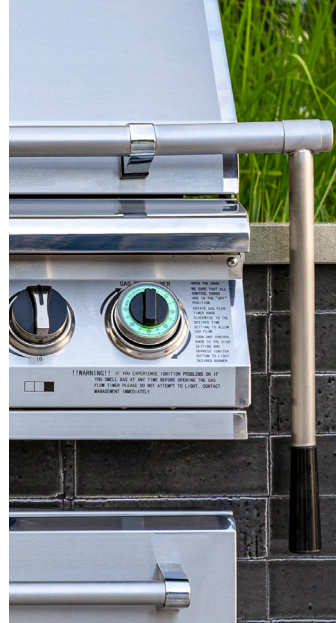
LIFT-ASSIST HANDLE

Easier operation of the lid for improved safety and accessibility

The optional Lift-Assist Handle accessory reduces handle reach by 8 inches, making grilling safer and more accessible. This exclusive PGS Grill feature ensures a convenient 42-inch reach when the grill is installed at a 34-inch height.

Lift-Assist Handle for S36T

LAHK36



FREIGHT:

FOB Irvine, CA 92606

ORDERING & LEAD TIME:

Call AEI Corporation - (949) 474-3070 M-F 7 a.m. - 4 p.m. PST



PGS
Brochure
Download

WARNING: California Proposition 65 - The burning of gas cooking or heating fuels (and certain components contained in this product) generates some by products which are on a list of substances known by the state of California to cause cancer or reproductive harm. California law requires businesses to warn customers of potential exposure to such substances. To minimize exposure to such substances always operate this appliance in accordance with our Use & Care Guide (Owner's Manual) ensuring you provide good ventilation when cooking with gas. For detailed information please see official California Proposition 65 website www.P65WARNINGS.CA.GOV