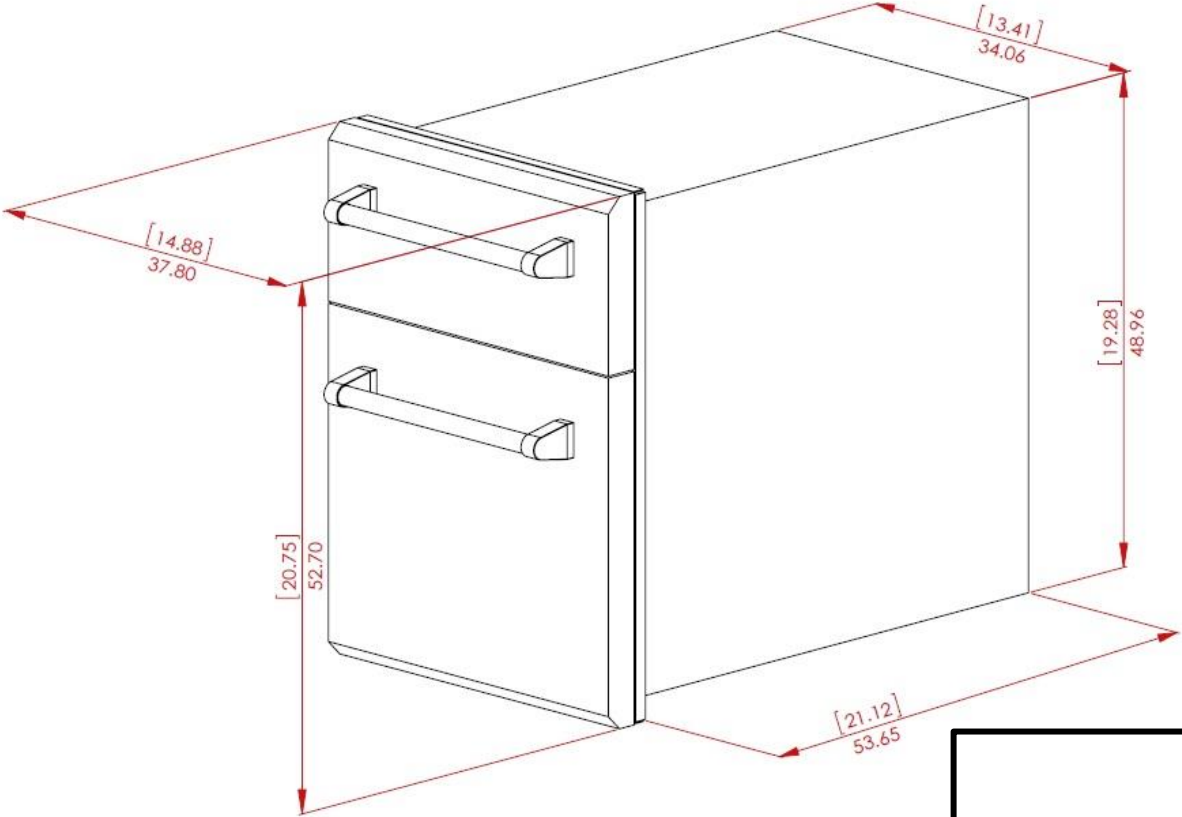
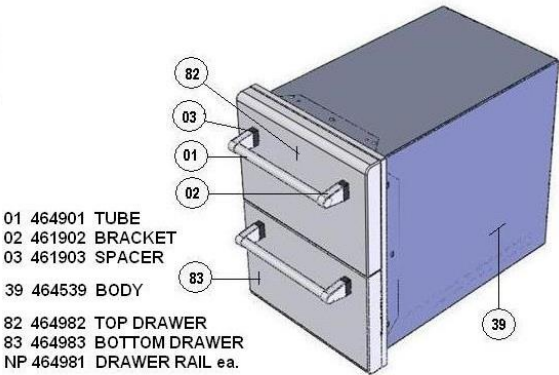


**CUT OUT DIMENSIONS:  
14" W X 20" H**



Size: [inch]  
cm



**LEGACY #M2DS MEASUREMENTS**

**AEI CORPORATION**

2641 Du Bridge Ave.  
Irvine, CA 92606

Office: 949-474-3070

Fax: 949-474-0559

Email: [infor@aeicorporation.com](mailto:infor@aeicorporation.com)

[www.aeicorporation.com](http://www.aeicorporation.com)