

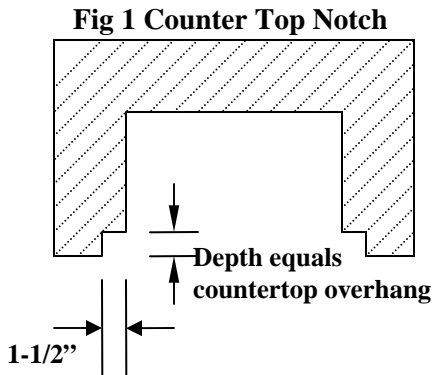
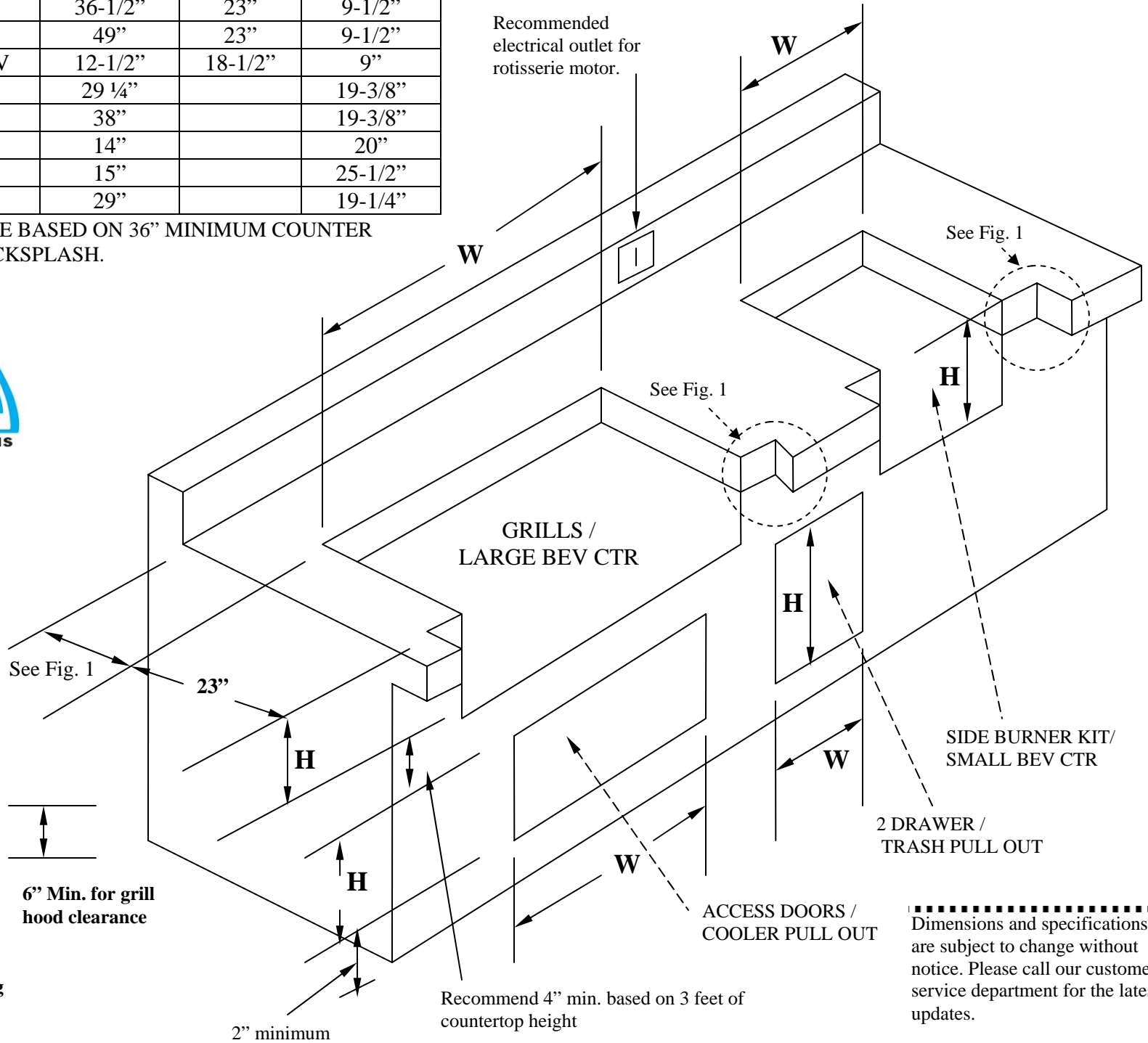
ITEM	WIDTH (W)	DEPTH (D)	HEIGHT (H)
NEWPORT & LBC	28"	23"	9-1/2"
PACIFICA	36-1/2"	23"	9-1/2"
BIG SUR	49"	23"	9-1/2"
SIDE BURNER / SMALL BEV	12-1/2"	18-1/2"	9"
MDS L30	29 1/4"		19-3/8"
MDS L39	38"		19-3/8"
M2DS	14"		20"
TETD	15"		25-1/2"
TECD	29"		19-1/4"

\*\*\*ALL MEASUREMENTS ARE BASED ON 36" MINIMUM COUNTER HEIGHT AND A 6" TO 12" BACKSPLASH.



**AEI CORPORATION**

2641 DU BRIDGE AVE.  
 IRVINE, CA 92606  
 949-474-3070  
 949-474-0559 FAX  
[aeicorp@sbcglobal.net](mailto:aeicorp@sbcglobal.net)  
[www.aeigrillsandheaters.com](http://www.aeigrillsandheaters.com)



.....  
 Dimensions and specifications are subject to change without notice. Please call our customer service department for the latest updates.