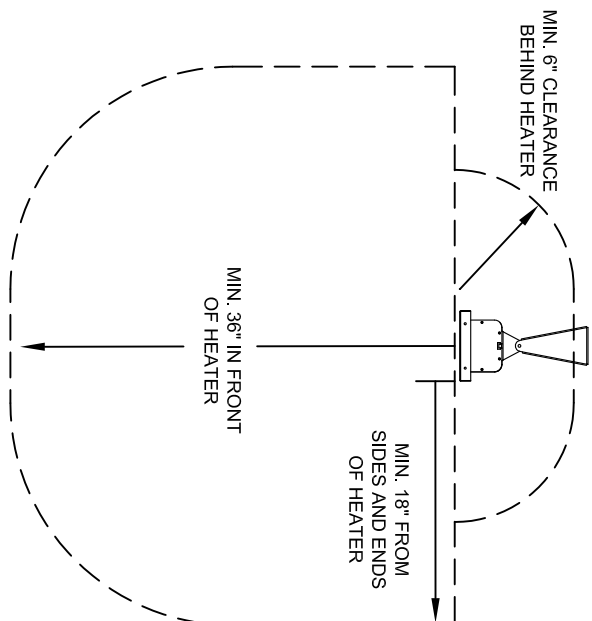
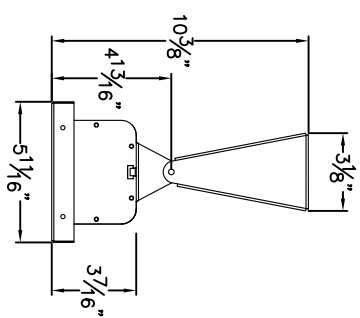
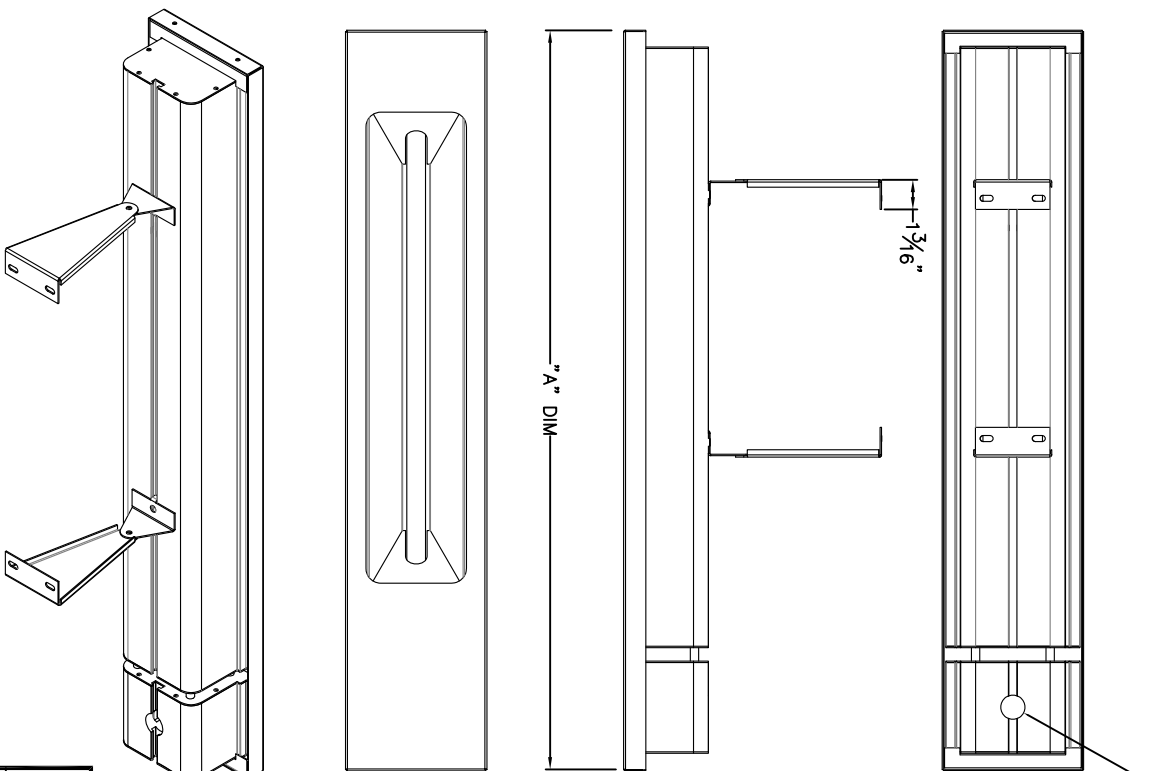


CLEARANCE FROM COMBUSTIBLES



MODEL	"A" DIM.	WATTS	VOLTS	AMPS	BTU's
SL812	20.50"	800	120	6.7	2730
SL828	20.50"	800	208	3.8	2730
SL824	20.50"	800	240	3.3	2730
SL1612	29.50"	1600	120	13.3	5460
SL1628	29.50"	1600	208	7.7	5460
SL1624	29.50"	1600	240	6.7	5460
SL2428	42.50"	2400	208	11.5	8190
SL2424	42.50"	2400	240	10	8190
SL3028	63.50"	3000	208	14.4	10239
SL3024	63.50"	3000	240	12.5	10239
SL4028	63.50"	4000	208	19.2	13652
SL4024	63.50"	4000	240	16.7	13652



**INFRA TECH**  
 344 W. 157th Street  
 Gardena, California 90248  
 Phone: (310) 354-1250  
 Fax: (310) 523-3674  
 www.infra-tech-usa.com

DESCRIPTION: SL-SERIES HEATER CAD DRAWING

DATE: Nov. 12, 2010  
 DRAWN BY: MD  
 SCALE: NONE