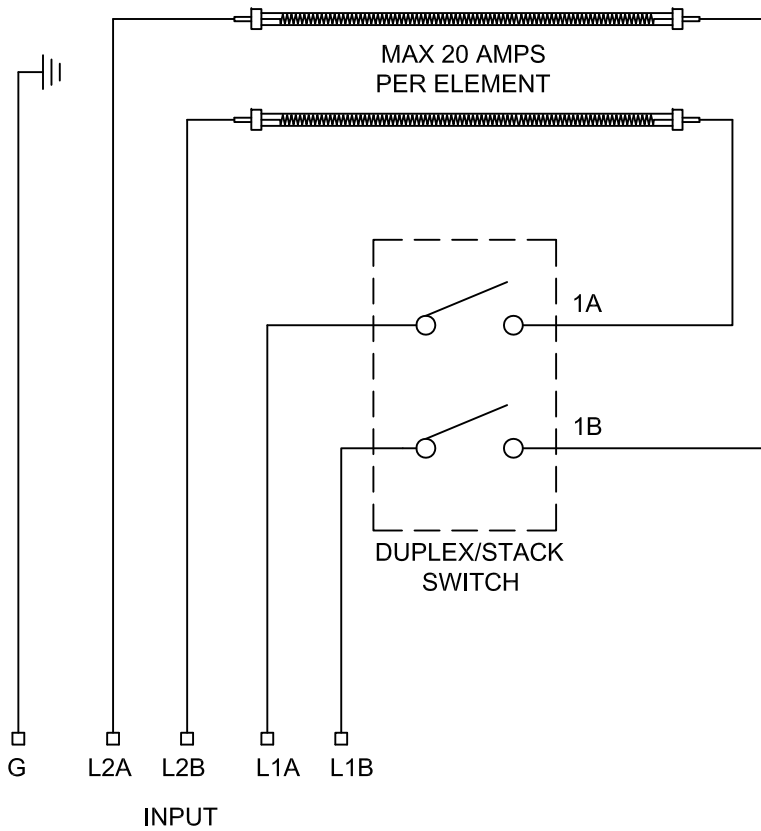


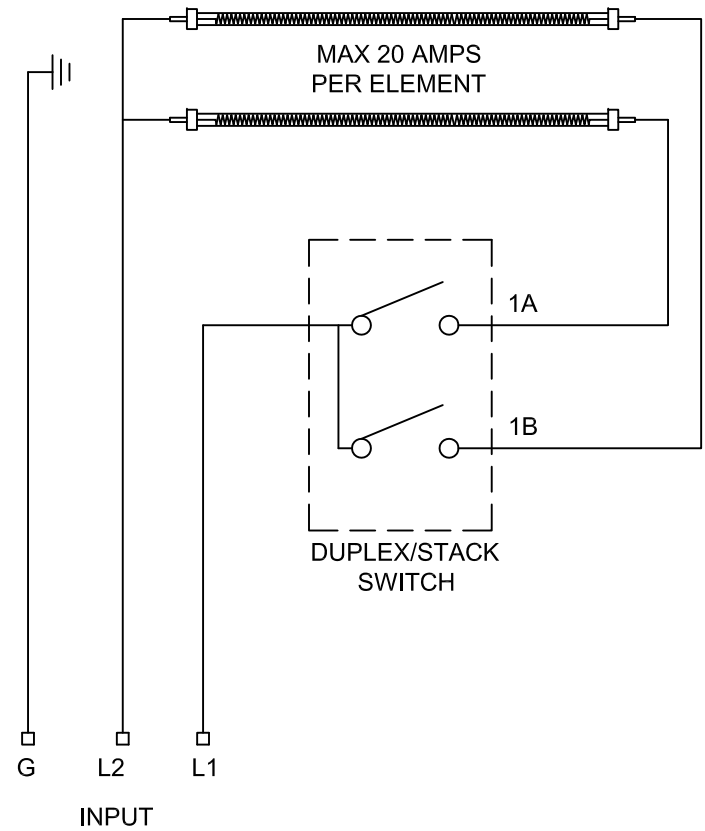
5 WIRE APPLICATION

CONNECTIONS
TO BE MADE
IN J-BOX



3 WIRE APPLICATION

CONNECTIONS
TO BE MADE
IN J-BOX



NOTE: Replace L2 with Neutral for 120 & 277 VAC Applications.

Duplex/Stack Switch
Two Single Pole Single Throw (DPST) Switches
Range:120/277 VAC
Recommended not to Exceed
120 VAC = 1800 Watts Max-Per Switch
208/220 VAC = 3000 Watts Max-Per Switch
240/277 VAC = 4000 Watts Max-Per Switch
20 Amps Max-Per Pole

INFRA TECH WWW.INFRATECH-USA.COM		15611 New Century Drive Gardena, California 90248 Phone: (310) 354-1250 Fax: (310) 523-3674	
DESCRIPTION			
DUPLEX/STACK SWITCH WIRING 120/277 VAC 20 AMP PER SWITCH			
DATE	ITEM#	N/A	
Apr. 22, 2009	DRAWN BY:	MD	