

ITEM	WIDTH (W)	DEPTH (D)	HEIGHT (H)
NEWPORT & LBC	28"	23"	9-1/2"
PACIFICA	36-1/2"	23"	9-1/2"
BIG SUR	49"	23"	9-1/2"
SIDE BURNER / SMALL BEV	12-1/2"	18-1/2"	9"
MDS L30	29 1/4"		19-3/8"
MDS L39	38"		19-3/8"
M2DS	14"		20"
TETD	15"		25-1/2"
TECD	29"		19-1/4"

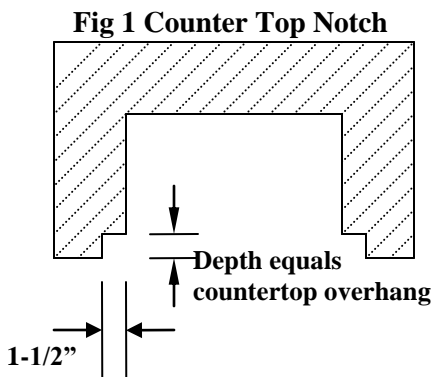
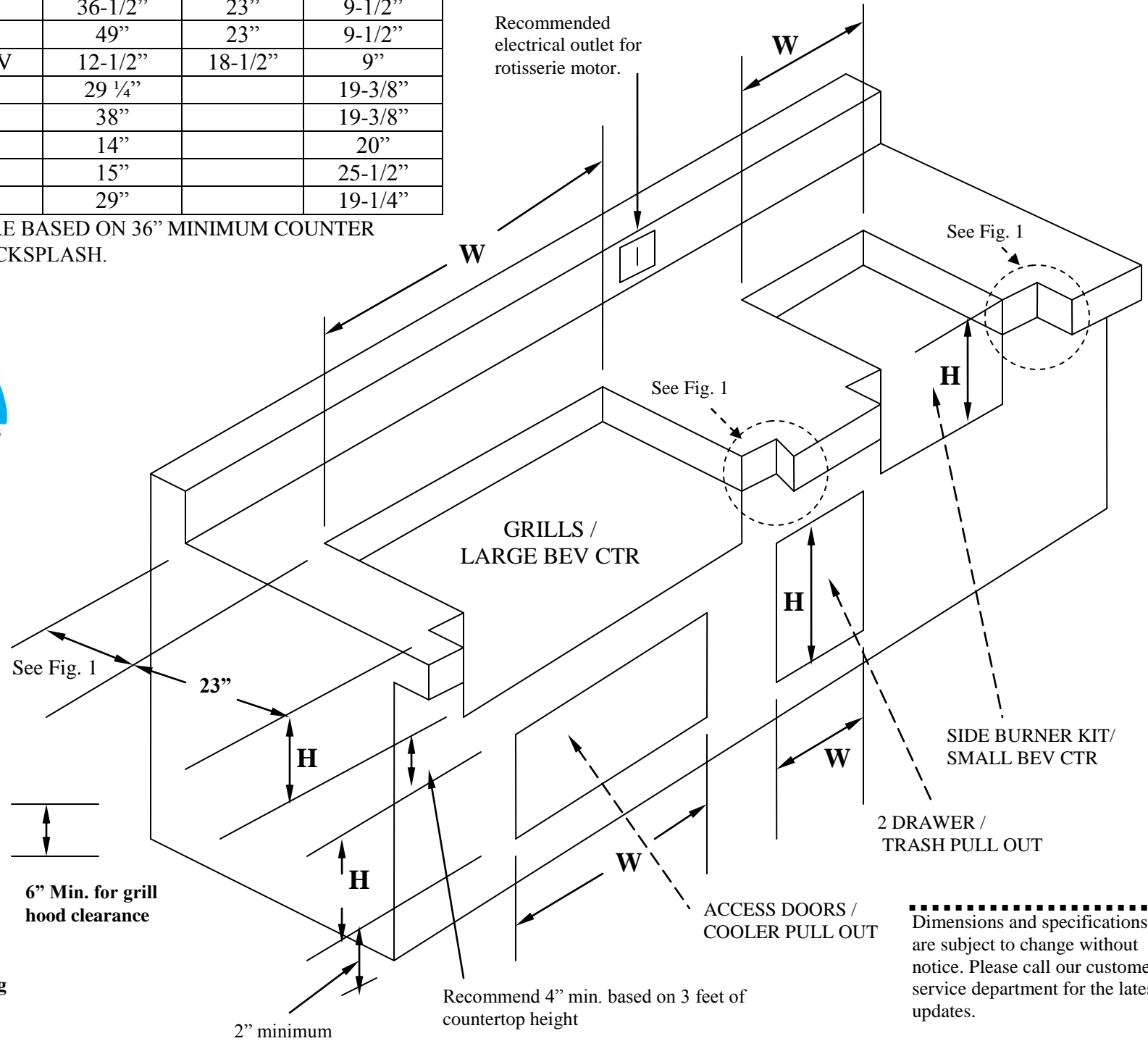
***ALL MEASUREMENTS ARE BASED ON 36" MINIMUM COUNTER HEIGHT AND A 6" TO 12" BACKSLASH.



AEI CORPORATION
 2641 Du Bridge Ave.
 Irvine, CA 92606
 Office 949-474-3070
 Fax: 949-474-0559

info@aeicorporation.com
www.aeicorporation.com

RECOMMEND TO BUILD WITH NON-COMBUSTIBLE MATERIALS



.....
 Dimensions and specifications are subject to change without notice. Please call our customer service department for the latest updates.